



CUSTOM ORDERING GUIDE

Lower Designer Dual Disc Brake

Custom orders cannot be returned or refunded. Please see our warranty and returns policy. Call (585) 381-8380 for more information

Name: _____

Business Name: _____

Address: _____

Phone: _____

Email: _____

Model: _____
Year: _____

Model and Year must be specified to get stock lengths

The manifold in this diagram is just for reference
Please see the Dual Disc Manifold Guide on the next page to make your selection

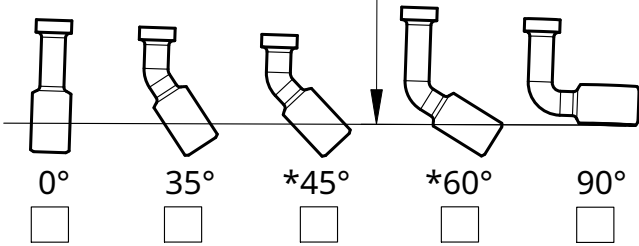
- Braid Color:**
- Sterling Chromite II
 - Polished Stainless
 - Black Pearl
 - Copper Canyon
 - KARBONFIBR

- Fitting Plating:**
- Chrome
 - Black

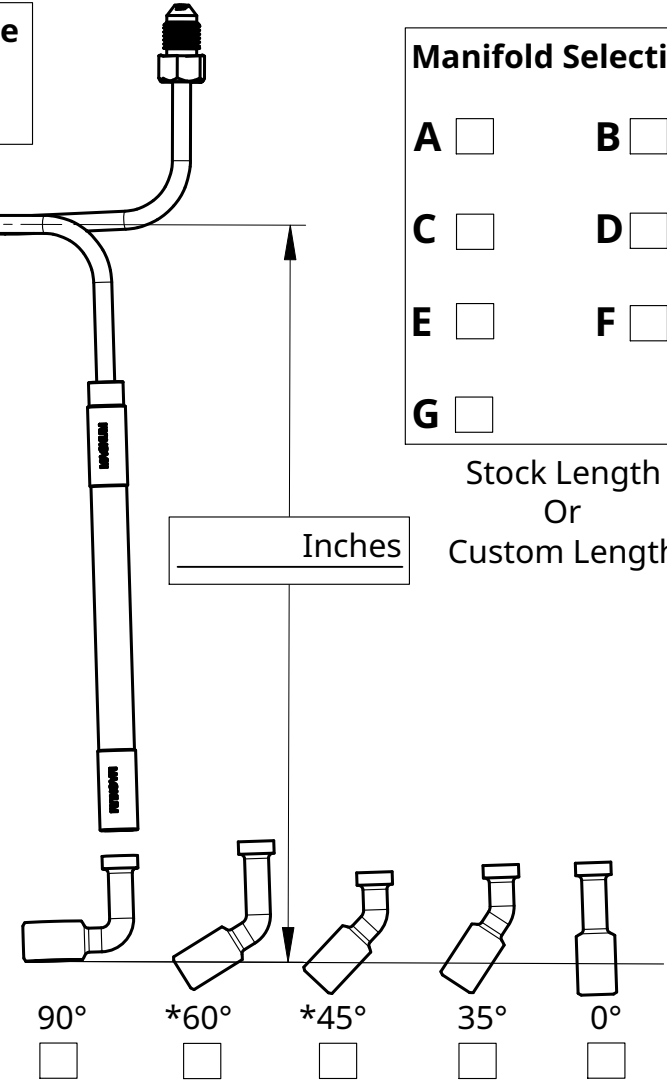
Note
45° & 60° are 10mm only

Note:
10mm is compatible with 3/8"

Stock Length
Or
Custom Length Inches



Fitting Size: 10mm 12mm



Fitting Size: 10mm 12mm

- Manifold Selection:**
- A B
 - C D
 - E F
 - G

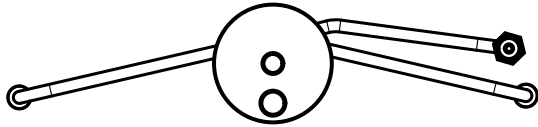
Stock Length
Or
Custom Length Inches

CUSTOM ORDER MEASURING GUIDE

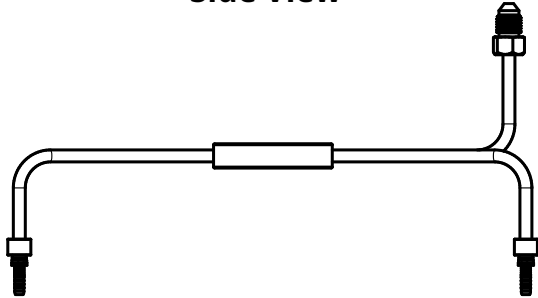
Dual Disc Manifold Guide

Custom orders cannot be returned or refunded. Please see our warranty and returns policy. Call (585) 381-8380 for more information

A: 37013
Top View



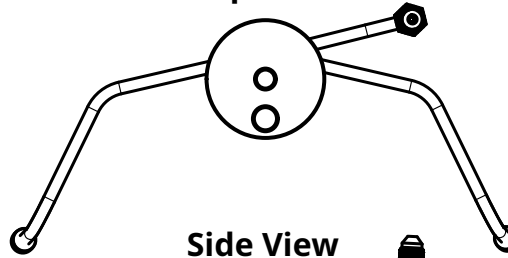
Side View



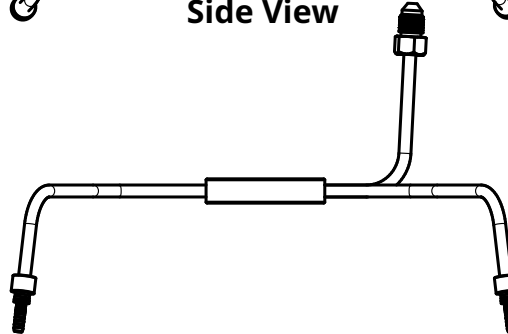
Models used in:
Dyna:

- 08-17 FXDF

B: 37005
Top View



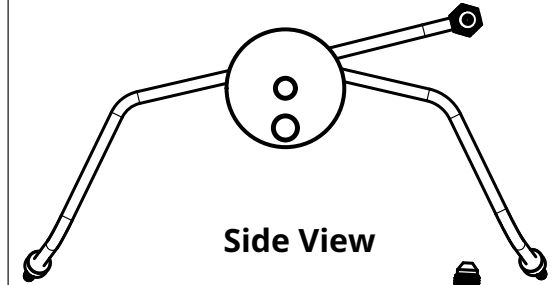
Side View



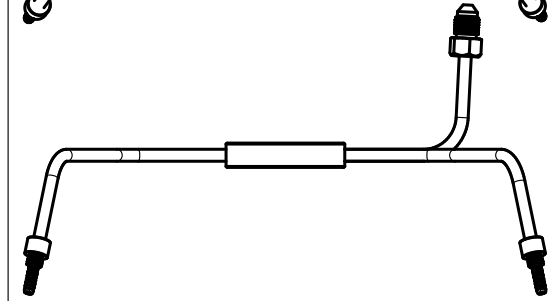
Models Used In:
Touring:

- 94-07 FLHR/I
- 94-07 FLHRC/I
- 04-07 FLHRS/I
- 98-07 FLTR/I
- 94-07 FLHT/I
- 96-07 FLHTC/I
- 96-07 FLHTCU/I
- 06-07 FLHX/I
- 96 FLTCU

C: 37009
Top View



Side View



Models Used In:
Touring:

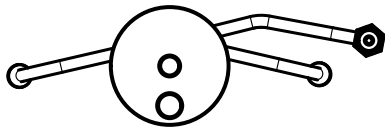
- 08-13 FLHR/I
- FLHRC/I
- 08-09 FLHT/I
- 08-13 FLHTC/I
- 08-13 FLHTCU/I
- 08-13 FLHX/I
- 08-09 FLTR/I
- 10-13 FLTRX
- 11-13 FLTRU

CUSTOM ORDER MEASURING GUIDE

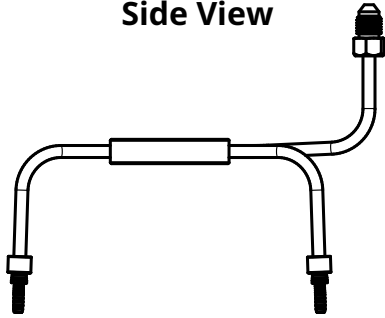
Dual Disc Manifold Guide

Custom orders cannot be returned or refunded. Please see our warranty and returns policy. Call (585) 381-8380 for more information

D: 37004
Top View



Side View



Models Used In:

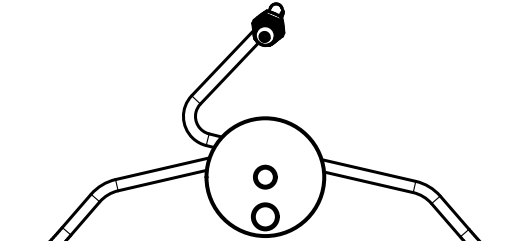
Dyna:

- 96-00 FXDL/I
- 99-05 FXDX/I
- 01-03 FXDXT

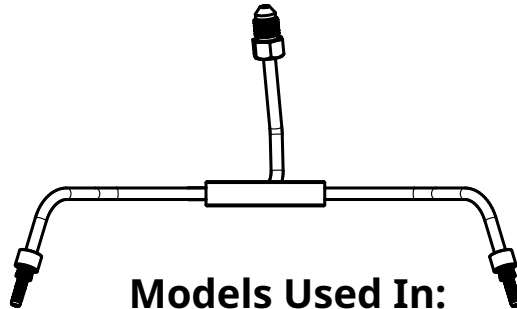
Sportster:

- 96-03 XL 1200 S
- 02-03 XL 883 R

E: 37014
Top View



Side View

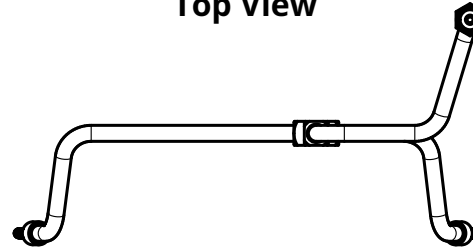


Models Used In:

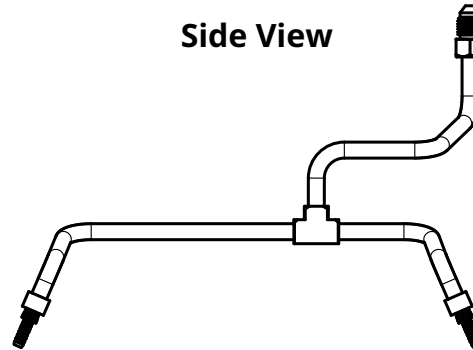
Trike:

- 09-13 FLHTCUTG
- 10-11 FLHXXX

F: 37017
Top View



Side View

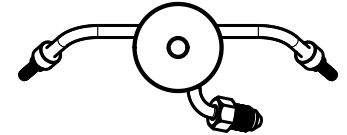


Models Used In:

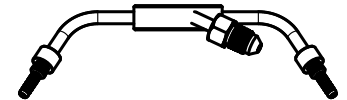
Touring:

- 14-22 FLHR
- 19-22 FLHT
- 14-23 FLHX
- 15-23 FLTRX

G: 37024
Top View



Side View



Models Used In:

Softail:

- 22-23 FXLRS
- 22-23 FXLRST
- 23 FXFBS

Sportster:

- 16-20 XL 1200CX